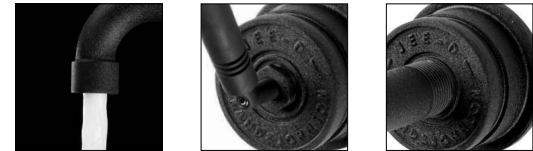
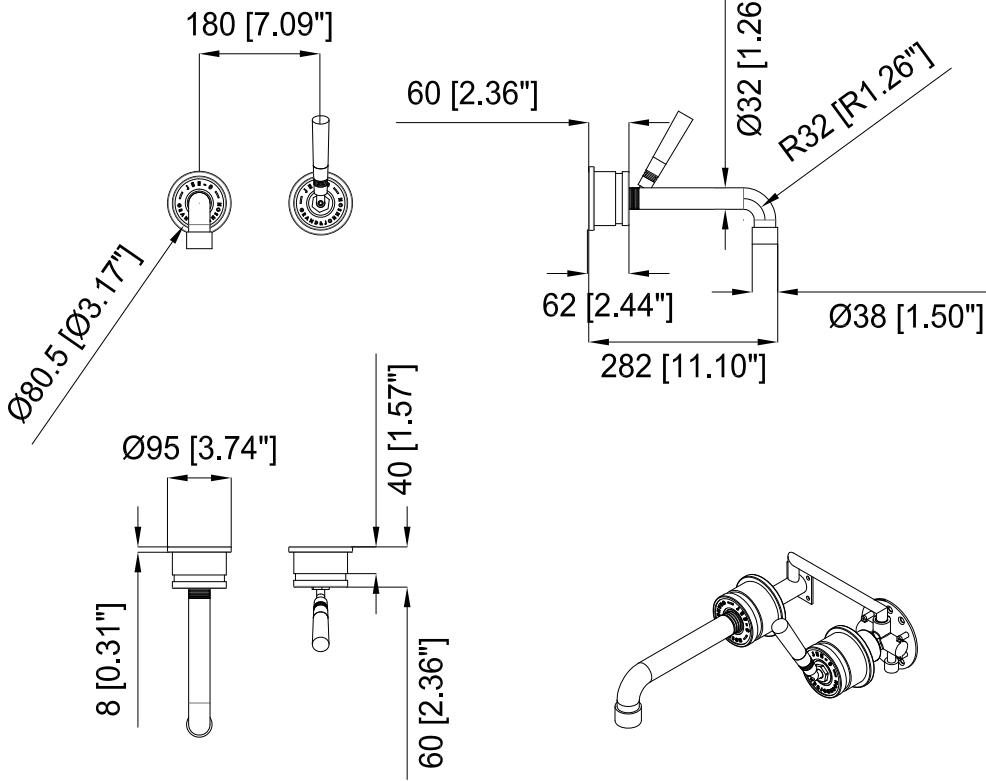
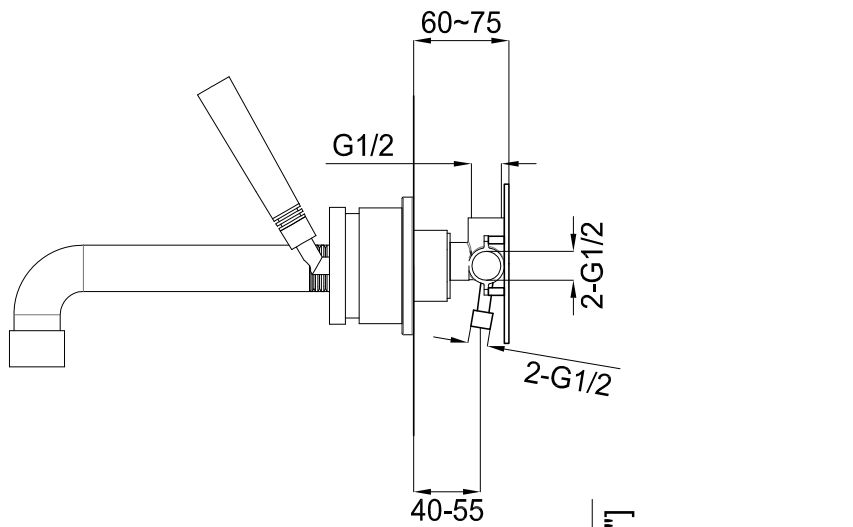


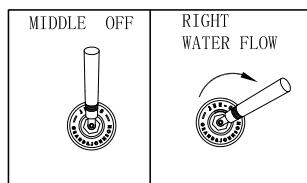


## JEE-O soho basin wall



Article code:  
 400-7600 (soho-bw-hammer)  
 Cartridge: Sedal / progressive  
 Connection:  $\varnothing 15\text{mm}$  / 0.6"  
 Material: Stainless Steel r304  
 Coating: hammercoat black (1.5)  
 Electro powder spraying  
 Cleaning: soapwater or alcohol  
 Flow at water of 38°C / 100,4°F  
 10l / 2,6gal p/m at 3bar presure

Dimension package:  
 L 45 x W 27 x H 14cm  
 L 17.7 x W 10.6 x H 5,5"  
 Total weight: 4.7kg / 8.97lbs  
 Package weight: 0.59kg / 0.13lbs  
 2 year warranty  
 HS code: 84818011900



Note: UV radiation and extreme temperature can affect the color and structure of the JEE-O soho surface.